

Technical data sheet



Product features

Cooking range gas 6x burner without cabinet

Model	SAP Code	00110091
--------------	-----------------	----------



- Device type: Gas unit
- Power consumption of the zone 1 [kW]: 2x 4.5 kW burner
- Power consumption of the zone 2 [kW]: 4x 7.5 kW burner
- Power consumption of the zone 3 [kW]: 7,5
- Power consumption of the zone 4 [kW]: 7,5
- Power consumption of the zone 5 [kW]: 4,5
- Power consumption of the zone 6 [kW]: 4,5
- Ignition: Eternal flame
- Protection of controls: IPX4
- Material: AISI 304 top plate, AISI 430 cladding

SAP Code	00110091	Number of zones	6
Net Width [mm]	1200	Power consumption of the zone 1 [kW]	2x 4.5 kW burner
Net Depth [mm]	700	Power consumption of the zone 2 [kW]	4x 7.5 kW burner
Net Height [mm]	330	Power consumption of the zone 3 [kW]	7,5
Net Weight [kg]	58.00	Power consumption of the zone 4 [kW]	7,5
Power gas [kW]	39.000	Power consumption of the zone 5 [kW]	4,5
Type of gas	Natural gas, propane butane	Power consumption of the zone 6 [kW]	4,5

Technical data sheet



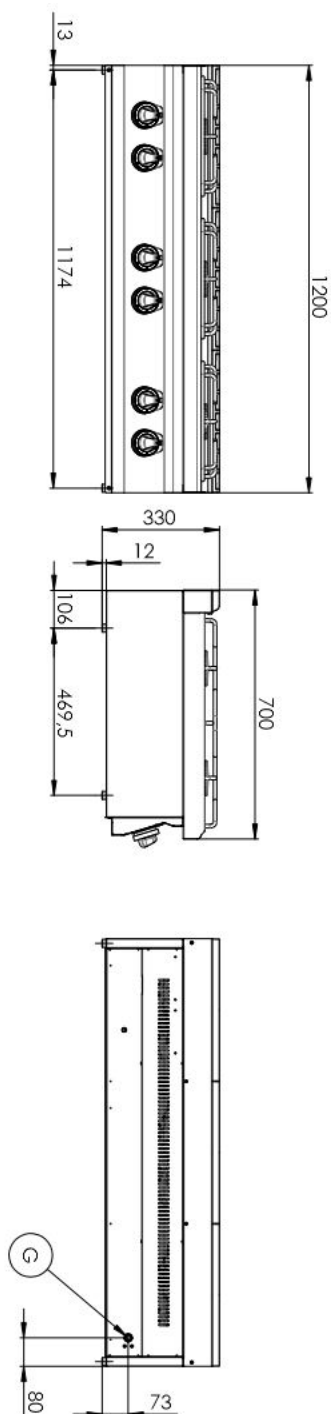
Technical drawing

Cooking range gas 6x burner without cabinet

Model

SAP Code

00110091



Cooking range gas 6x burner without cabinet

Model	SAP Code	00110091
--------------	-----------------	----------

1

Massive construction of burners

- high performance and efficiency
- brass burners removable
- eternal flame
- long life
- demountable
 - energy saving (perfect combustion)
 - time saving for food preparation
 - easy maintenance/cleaning

2

Hygienic moldings of the top plate

- absence of sharp corners and edges (potential places where dirt could stick)
- smooth transitions
 - easy quick cleaning

3

Degree of protection of the control elements IPX4

- maintenance-free system
- resistance to splash water
- long life
 - savings on service interventions
 - easy cleaning and maintenance of equipment

4

All-stainless design

- long life
- resistance of a ground steel plate with a thickness of 10 mm
 - savings on service interventions
 - higher corrosion resistance

5

Safety element – thermocouple

- safe operation for personnel
- there is no overheating and damage to the thallus
- long life
 - savings on service interventions
 - easier and faster operation

6

Cooking unit for use on a table or on a base

- variable use
- the possibility of placement in smaller spaces
 - easy handling
 - cost savings on substructure

Technical data sheet



Technical parameters

Cooking range gas 6x burner without cabinet

Model

SAP Code

00110091

1. SAP Code:

00110091

2. Net Width [mm]:

1200

3. Net Depth [mm]:

700

4. Net Height [mm]:

330

5. Net Weight [kg]:

58.00

6. Gross Width [mm]:

1240

7. Gross depth [mm]:

800

8. Gross Height [mm]:

975

9. Gross Weight [kg]:

73.00

10. Device type:

Gas unit

11. Construction type of device:

Table top

12. Power gas [kW]:

39.000

13. Ignition:

Eternal flame

14. Type of gas:

Natural gas, propane butane

15. Protection of controls:

IPX4

16. Material:

AISI 304 top plate, AISI 430 cladding

17. Worktop type:

Molded - comfortable cleaning maintenance

18. Worktop material:

AISI 304

19. Worktop Thickness [mm]:

1.20

20. Number of zones:

6

21. Power consumption of the zone 1 [kW]:

2x 4.5 kW burner

22. Power consumption of the zone 2 [kW]:

4x 7.5 kW burner

23. Power consumption of the zone 3 [kW]:

7,5

24. Power consumption of the zone 4 [kW]:

7,5

25. Power consumption of the zone 5 [kW]:

4,5

26. Power consumption of the zone 6 [kW]:

4,5

27. Grid material:

Cast iron

28. Service accessibility:

Trough the frontal panel

Technical data sheet



Technical parameters

Cooking range gas 6x burner without cabinet

Model	SAP Code	00110091
--------------	-----------------	----------

29. Safety thermocouple:

Yes

32. Type of gas cooking zones:

Brass burners

30. Adjustable feet:

Yes

33. Burner type:

Cast iron, detachable, with internal and external combustion

31. Number of burners/hot plates:

6

34. Connection to a ball valve:

1/2